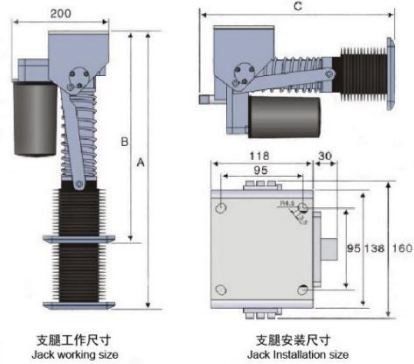
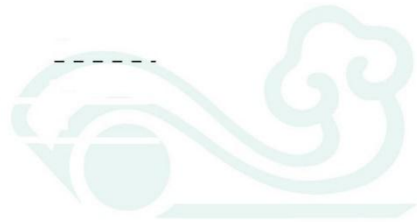


Mechanical Stabilization
BIG FEET SYSTEM
2T/3T



Specification:
24volt DC power supply
Remote control available
Single Jack weight: approx 14kgs
Single Jack power consumption : 200watts
Leveling Jack Capacity: 3T



TIANHEMAST is a professional manufacturer of vehicle leveling jack system .
The series are made from 1T jack to 20 T jack capacity.
Usually the jack system is providing vehicle with max flat ability to keep vehicle balanced during the operation of specialty vehicle including law enforcement command center 、 fire fighting vehicle 、 telecommunication broadcast vehicle 、 BTS station 、 military vehicle 、 RV family vehicle etc.

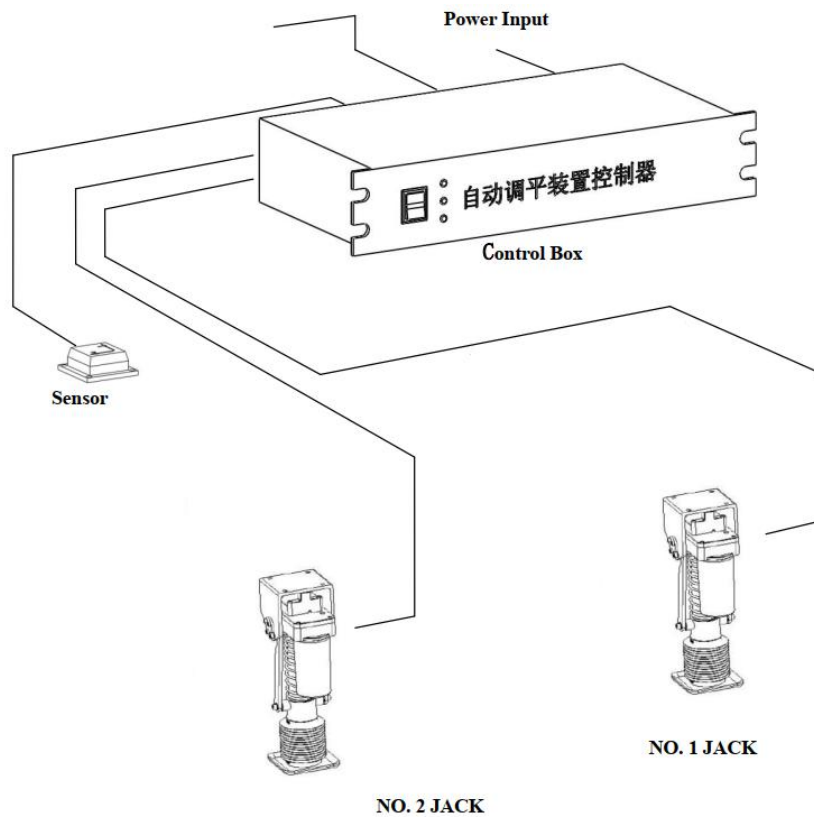
Key Features:

- Quick response
- Automatic leveling
- Free of hydraulic oil (electric system totally)
- Well protect vehicle suspension
- Low voltage for safety

BIG FEET SYSTEM THJ3A technical data

Item	
Control levelling Deviation	$\pm 0.5^{\circ}$
Voltage (Power Input)	12V/24V DC
Power	150W~300W
Noice	$\leq 70\text{Db}$
Stroke	180mm

Below diagram shows the connection of the Jack system



Button Function :

- Automatic Leveling
- Single Jack A up & down
- Single Jack B up & down
- Reset